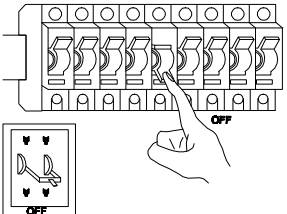
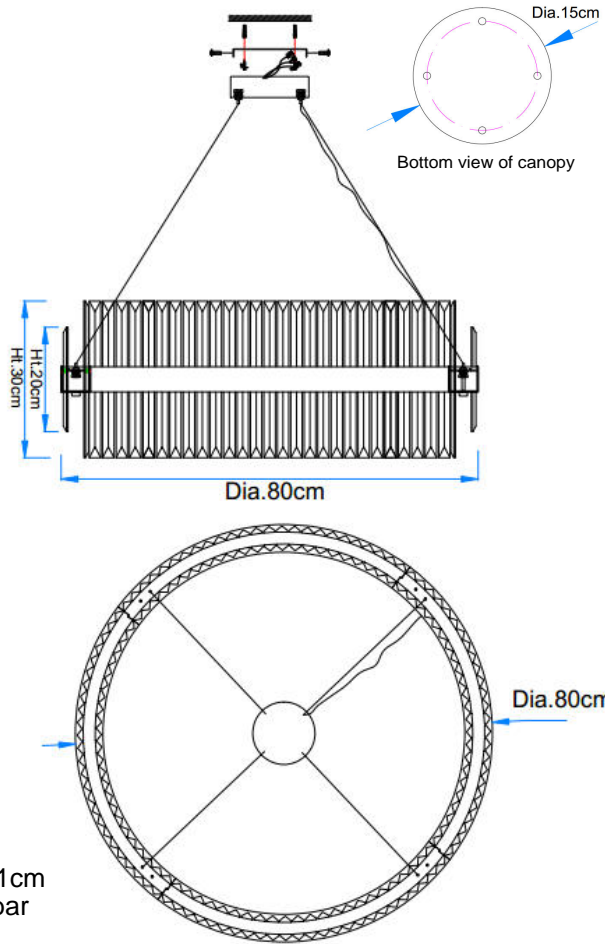
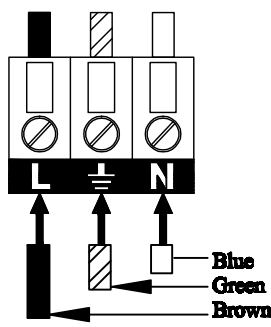
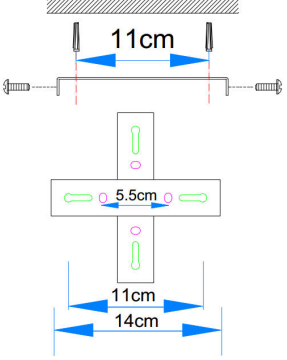
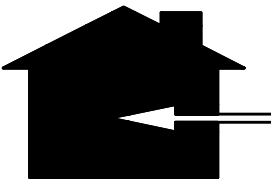
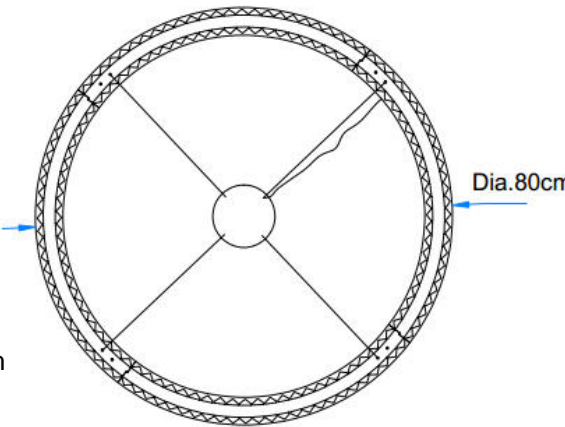
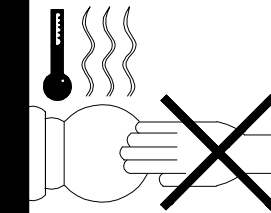
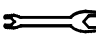



INSTALLATION INSTRUCTION

10242/80

	<p>Size: Dia.80 x Ht.30cm</p>  <p>Bottom view of canopy</p> <p>Bottom view of hanging bar</p>	 <p>Blue Green Brown</p>
<p>LED strip, 70W, 3000K, warm light</p>	 <p>Bottom view of hanging bar</p>	
<p>Notement:</p> <ol style="list-style-type: none"> 1)The canopy is Dia.15cm; 2)The gap of the holes for fixing the hanging bar is 11cm 3)The width of the hanging bar is 14cm. 	 <p>Dia.80cm</p>	
<p>CAUTION:</p> <p>Use  this wrench when nut is loose.</p>		

Installation instruction for this item:

- 1.Remove the cover and put the lamp on a clean place, then install the lamp;
- 2.The lamp is limited to used 60W bulb;
- 3.Fix the lamp body on the hung loop by the chain .

Warning:

- 1.Turn off the main power at the circuit breaker before installing the lamp in order to prevent possible shock;
2. Please wear gloves when installing the lamp;
3. Don't exceed the rated voltage 240V;
4. Don't install on haven't finished ceiling and loose wood ceiling;
5. Don't use corrosive liquor to clean it ,just as acid liquor and alkaline liquor,please use soft cloth;
- 6.The lamp is made of glass ,installing carefully.